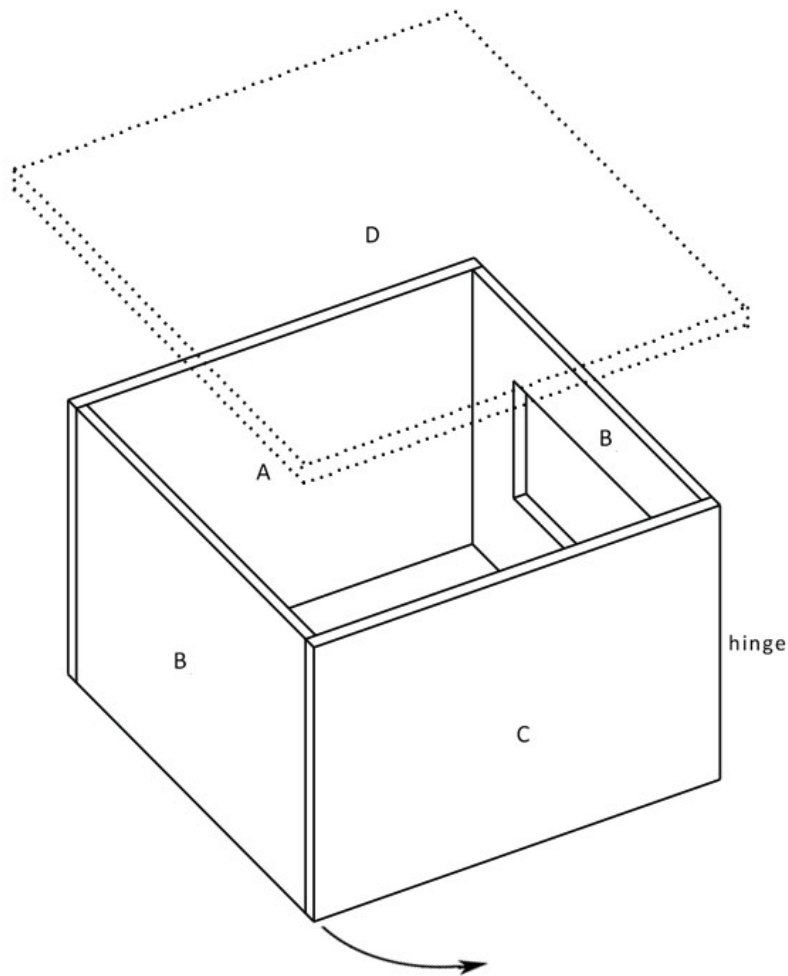


Simple outhouse (no shelf), made for Petmate® Booda Dome litterbox with 17¼ diameter and 18 height

Supplies needed: five cuts, hammer/nails or screwdriver/screws, hinges, pull/knob, wood glue, sand paper, primer, paint. The most critical part to every project is getting dimensions right, so be sure you use these or try the interactive version on the web site for a custom fit to your litterbox. Note that whereas door height is up to you on the dining room project, on this, the door height is dictated by the box edge height (or here, the dome box opening). Be sure to cut your opening to meet your box height.



	Panel	Quantity	Thickness (")	Width (")	Height/Length (")
A	Back	1	¾	20½	18½
B	Left /right ¹	2	¾	19	18½
C	Door	1	¾	20½	17¾
D	Roof	1	¾	21½	19½

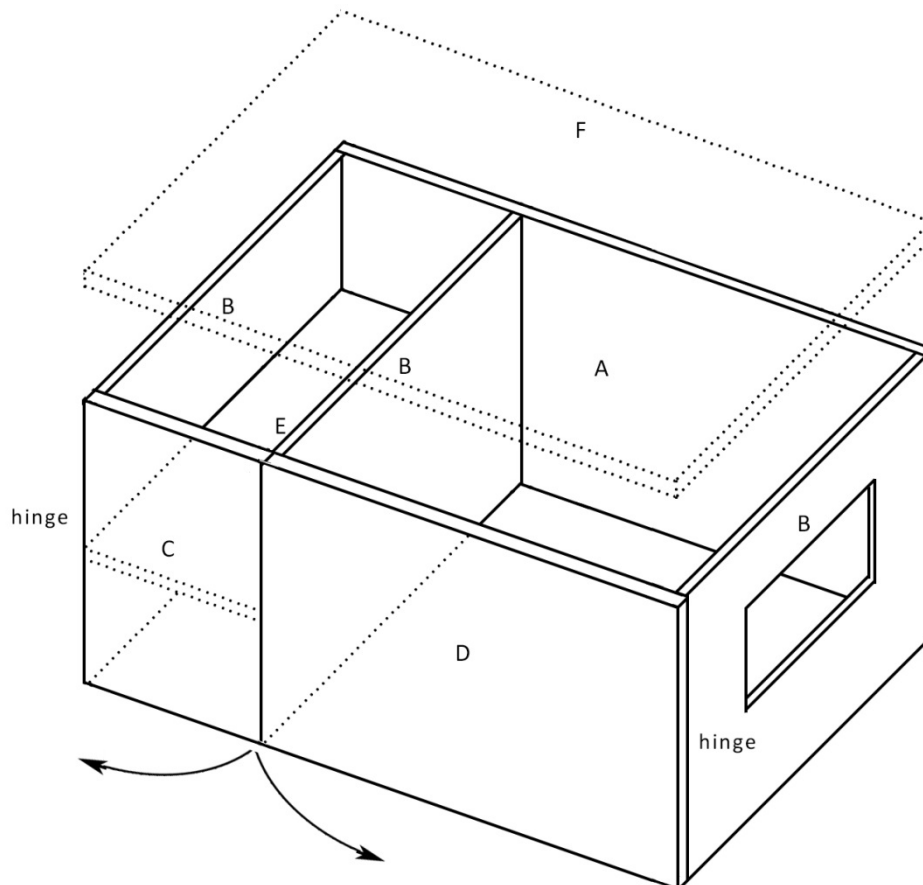
¹ Opening: 9½ inches by 7¼ inches at 6½ inches off the ground

All information, recipes, specifications, instructions and illustrations provided by Radlilcat are for use at your own discretion. While information has been carefully checked for accuracy, no guarantee is given to the completeness and correctness of the contents, including but not limited to the recipes, specifications, functions, and illustrations. Radlilcat takes no responsibility and accepts no warranty for direct or indirect damage or injury when using the site and/or downloading materials.

In using any and all material provided by Radlilcat, you are responsible for your personal safety and the safety of your cat(s).

Large outhouse (with shelf), made for Petmate® Booda Dome litterbox with 17¼ diameter and 18 height

Supplies needed: five cuts, hammer/nails or screwdriver/screws, hinges, pull/knob, wood glue, sand paper, primer, paint. The most critical part to every project is getting dimensions right, so be sure you use these or try the interactive version on the web site for a custom fit to your litterbox. Note that whereas door height is up to you on the dining room project, on this, the door height is dictated by the box edge height (or here, the dome box opening). Be sure to cut your opening to meet your box height.



	Panel	Quantity	Thickness	Width	Height/Length (")
A	Back	1	¾	28¾	18½
B	Left/middle/right ¹	3	¾	19	18½
C	Left door	1	¾	8½	17¾
D	Right door	1	¾	20	17¾
E	Shelf	1	¾	7½	19
F	Roof	1	¾	29¾	19½

¹ Opening: 9½ inches by 7¼ inches at 6½ inches off the ground

All information, recipes, specifications, instructions and illustrations provided by Radlilcat are for use at your own discretion. While information has been carefully checked for accuracy, no guarantee is given to the completeness and correctness of the contents, including but not limited to the recipes, specifications, functions, and illustrations. Radlilcat takes no responsibility and accepts no warranty for direct or indirect damage or injury when using the site and/or downloading materials.

In using any and all material provided by Radlilcat, you are responsible for your personal safety and the safety of your cat(s).