

## Dining room tips-n-tricks

**Note:** my cats range from 8 to 12.5 lbs. They have no issues entering and have room to turn to exit. If you have a larger cat, please consider using this design and the instructions only as a guide and measure everything a bit larger for your big cat to comfortably manoeuvre.

**Plan ahead:** decide which commercial cat door (if any) you'll be fitting into the dining room entryway, so you know what size to make your opening. Be sure to select one that mounts in glass (which this isn't, but the depth issue is the key).

The dining room pictured on the site uses 1/8" thick custom cut acrylic plastic panels (which come in clear and the milky green glass look seen in the photo). The advantage of that is keeping things light for kitty. And the aesthetics of it—you can see the artwork on the walls and kitty dining-away.

You could, however, finish off all sides with plywood of the same cut sizes. I have a plastics company I go to for these parts and [Tap Plastics](#) online may be able to help if you don't have such a shop near you.

### Choosing a door type

If you need to keep one cat away from the other's food, the first option is for one cat to wear a magnetic collar that comes with magnet door types and mount one magnetic door. To be fair (cats would prefer no hindrances, so the cat with the private entry might start migrating to the non-doored entry side), you can purchase a simpler door that needs no magnet for the second entrance, meaning one magnetic door, one non-magnetic door.

If you need to keep each cat away from the other's food, two microchip doors is the key. You program them so only one microchip works in each entry.

Another thing to consider (I have not seen it happen), if your cats get frisky and jump the fence, a lid made from the same plastic will prevent that. Have several hand-sized holes cut throughout the lid where you want them (for maximum air flow and so you can remove to feed). I had started with such a lid then decided I preferred without and my cats never snuck "over the fence" once it was removed.

The 12" diameter hole shown in the photo and diagram can be retrofitted with a SureFlap® Mounting Adapter for the SureFlap® Microchip Cat Flap. However, if you are simply going for the door mount to begin with, use that brand's specifications.

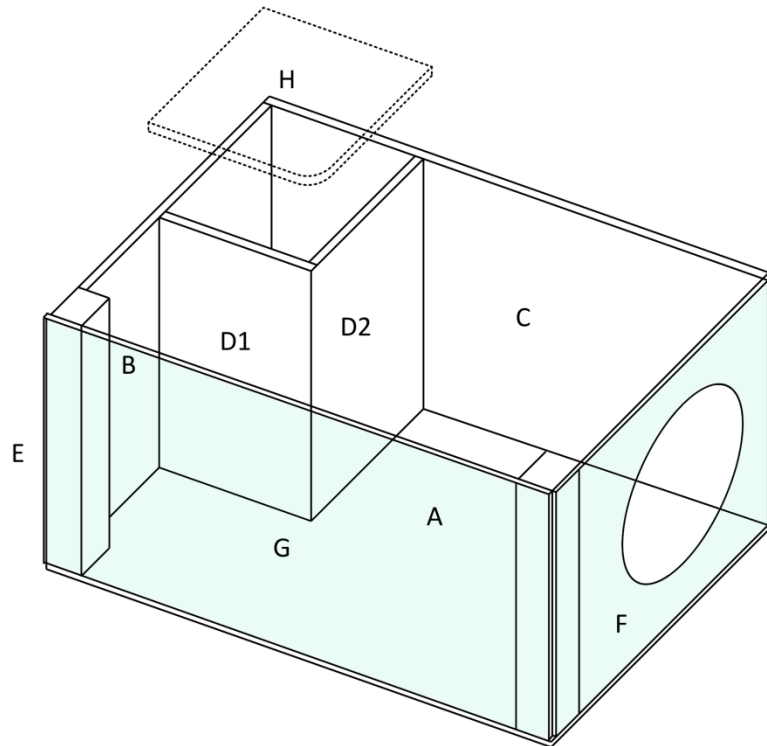
### Door hole placement

The height of cat doors from surface to the bottom of the hole is generally around 6 inches. However, if you can get your cat to stand still and measure floor to the bottom of the belly, take that height and subtract .5 inch. Note that my smaller cat reaches up a bit to enter most of our doors, but the height is right for the other two at 6 inches. One door we have (through a window) had to be mounted much lower and none of the cats mind ducking down a bit.

All information, recipes, specifications, instructions and illustrations provided by Radlilcat are for use at your own discretion. While information has been carefully checked for accuracy, no guarantee is given to the completeness and correctness of the contents, including but not limited to the recipes, specifications, functions, and illustrations. Radlilcat takes no responsibility and accepts no warranty for direct or indirect damage or injury when using the site and/or downloading materials. In using any and all material provided by Radlilcat, you are responsible for your personal safety and the safety of your cat(s).

## Dining room for one

**Supplies needed:** five cuts, two custom plastic panels, three posts, hammer/nails, screwdriver/screws (list type), wood glue, sand paper, primer, paint, décor (wall hangings and plants and anything else you want!).



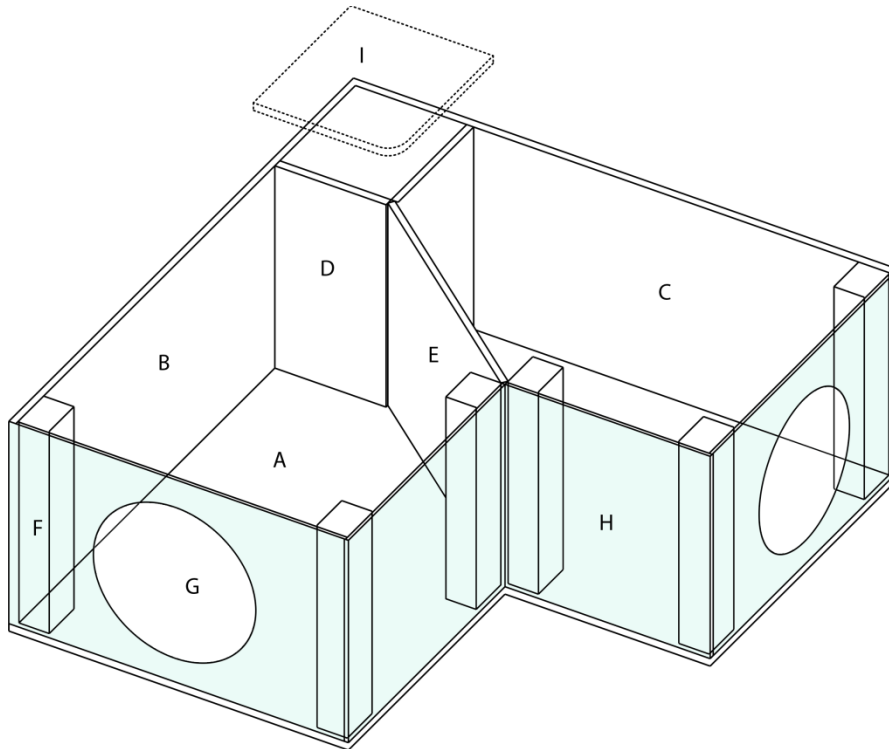
	Panel	Quantity	Thickness (")	Width (")	Height/Length (")
A	Base	1	$\frac{3}{4}$	$17\frac{1}{4}$	$27\frac{7}{8}$
B	Back	1	$\frac{3}{4}$	15	$15\frac{1}{2}$
C	Back	1	$\frac{3}{4}$	$27\frac{7}{8}$	$15\frac{1}{2}$
D1	Central tower	1	$\frac{3}{4}$	$9\frac{1}{4}$	$15\frac{1}{2}$
D2	Central tower	1	$\frac{3}{4}$	$8\frac{3}{4}$	$15\frac{1}{2}$
E	Posts	2	2x2	2x2	$15\frac{1}{2}$
F	Plastic panel <sup>1</sup>	1	$\frac{1}{8}$	$17\frac{1}{4}$	$15\frac{1}{2}$
G	Plastic panel	1	$\frac{1}{8}$	$27\frac{7}{8}$	$15\frac{1}{2}$
H	Tower lid (optional)	1	$\frac{3}{4}$	10	$9\frac{1}{2}$
I	Unit lid (optional, not shown)	1	$\frac{1}{8}$	$17\frac{1}{4}$	$27\frac{7}{8}$

<sup>1</sup> Opening: 12 inches diameter

All information, recipes, specifications, instructions and illustrations provided by Radlilcat are for use at your own discretion. While information has been carefully checked for accuracy, no guarantee is given to the completeness and correctness of the contents, including but not limited to the recipes, specifications, functions, and illustrations. Radlilcat takes no responsibility and accepts no warranty for direct or indirect damage or injury when using the site and/or downloading materials. In using any and all material provided by Radlilcat, you are responsible for your personal safety and the safety of your cat(s).

## Dining room for two

**Supplies needed:** five cuts, two custom plastic panels, three posts, hammer/nails, screwdriver/screws (list type), wood glue, sand paper, primer, paint, décor (wall hangings and plants and anything else you want!).



	Panel	Quantity	Thickness (")	Width (")	Height/Length (")
A	Base ("L" shape outer) Base ("L" shape inner)	1	$\frac{3}{4}$	29 12	29 12
B	Back	1	$\frac{3}{4}$	29	16
C	Back	1	$\frac{3}{4}$	$28\frac{1}{4}$	16
D	Central tower	1	$\frac{3}{4}$	8	16
E	Central divider	1	$\frac{3}{4}$	$12\frac{1}{2}$	16
F	Posts	6	2x2	2	16
G	Plastic panel <sup>1</sup>	2	$\frac{1}{8}$	17	16
H	Plastic panel	2	$\frac{1}{8}$	12	16
I	Tower lid (optional)	1	$\frac{3}{4}$	$9\frac{1}{2}$	$9\frac{1}{2}$
J	Unit lid (optional, not shown)	1	$\frac{1}{8}$	29 12	29 12

<sup>1</sup> Opening: 12 inches diameter

All information, recipes, specifications, instructions and illustrations provided by Radlilcat are for use at your own discretion. While information has been carefully checked for accuracy, no guarantee is given to the completeness and correctness of the contents, including but not limited to the recipes, specifications, functions, and illustrations. Radlilcat takes no responsibility and accepts no warranty for direct or indirect damage or injury when using the site and/or downloading materials. In using any and all material provided by Radlilcat, you are responsible for your personal safety and the safety of your cat(s).